

**OHIO 12W IP54 OVAL BULKHEAD,  
3000K/4000K, C/W WHITE AND BLACK TRIMS**

**RHV1230-01, RHV1240-01**

PLEASE READ INSTRUCTION BEFORE COMMENCING INSTALLATION AND RETAIN FOR FUTURE REFERENCES.

! Electrical products can cause death or injury, or damage to property. If in any doubt about the installation or use of this product, consult a competent electrician

Note:

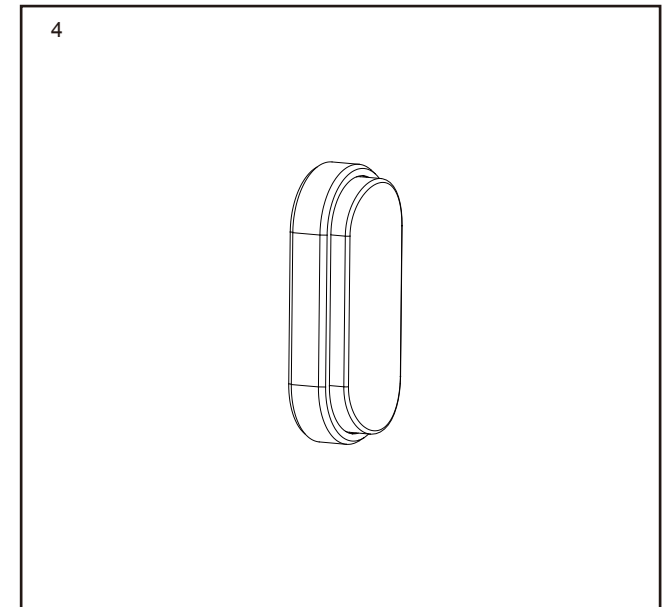
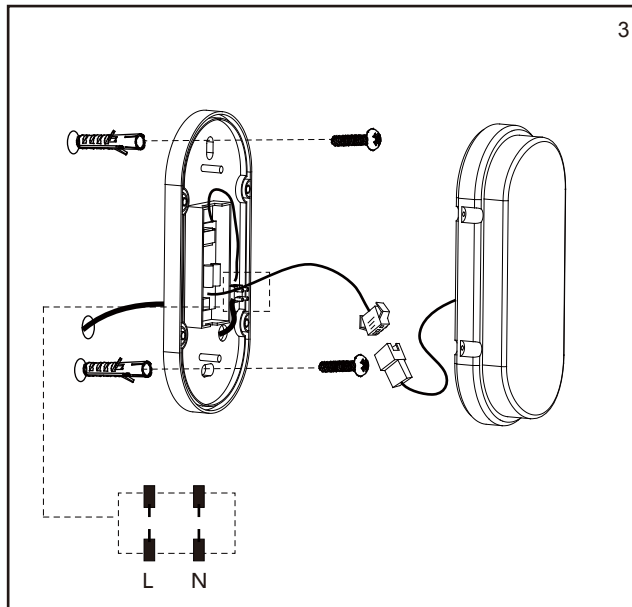
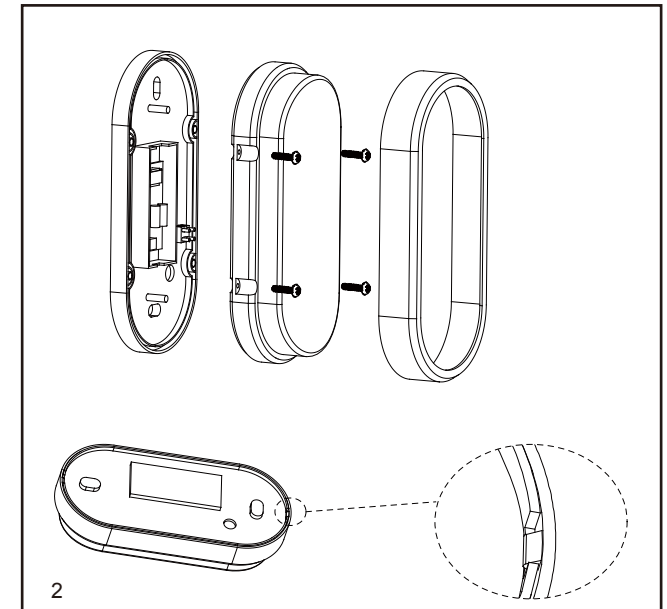
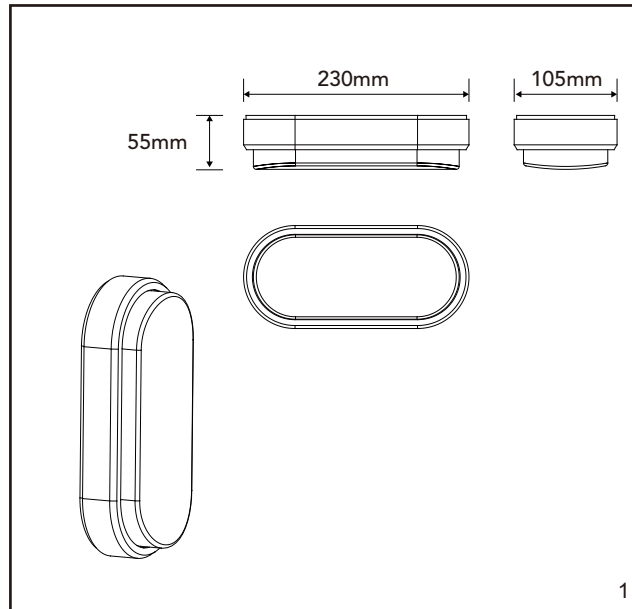
Product technical information and specification may change over time without prior notification. For the latest technical information please visit our web site [www.ledgrouprobust.com.au](http://www.ledgrouprobust.com.au)

-20°C < Ta < +40°C, 220-240V~50/60Hz, Class II, IP54

Luminaire is non-dimmable  
Suitable for mounting on a normally flammable surface

## Installation

1. Ensure mains supply is switched off before commencing work
2. Choose suitable location for mounting the fitting
3. Ensure there is at least 100mm of free space around the fitting location
4. Using a flat head screw driver remove the trim. Expose the base by removing the screws. Remove diffuser/ LEDs from base. Unplug connector
5. Drill mounting holes in the base
6. Mark appropriate fixing hole positions on wall, check location of buried cables, pipes and other building services before drilling.
7. Feed supply cables through cable entry hole and attach base to surface
8. Connect supply to terminals Brown to L and Blue to N
9. Plug in connector, attach diffuser/ LEDs and tighten screws. Ensure that it is secure. Attach appropriate base



The Installation must be carried out by a qualified electrician